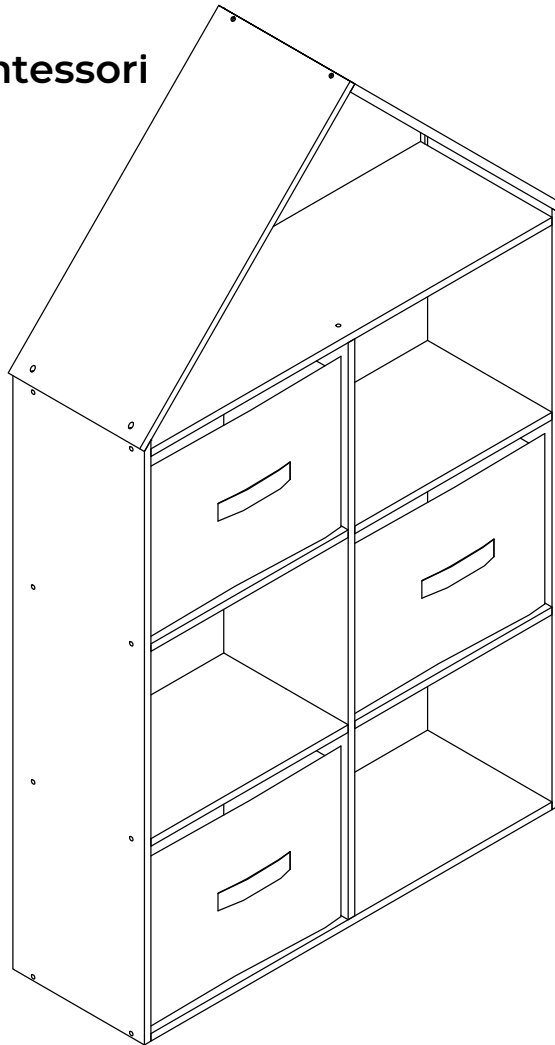


SUNNY BEE Melona hišna Knjižna omara Montessori

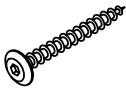
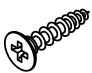


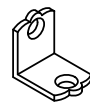
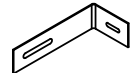

SUNNY BEE Melona Montessori
House Bookshelf



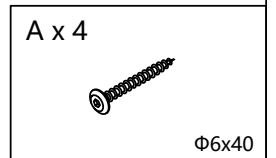
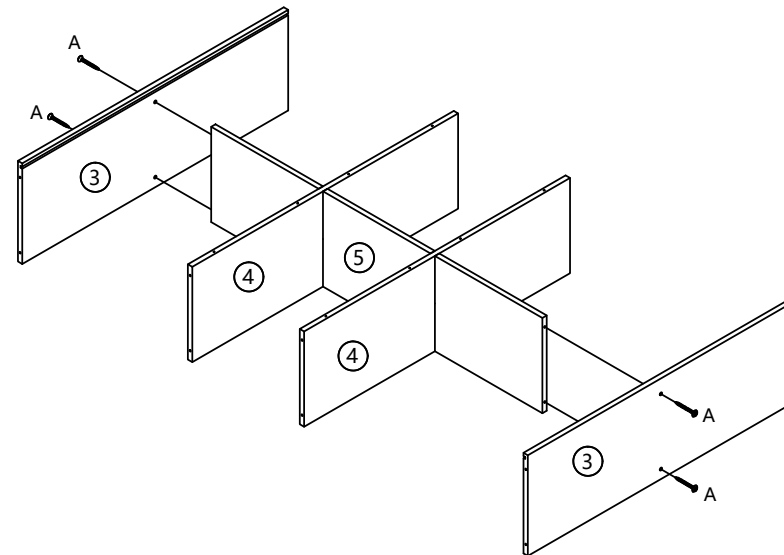
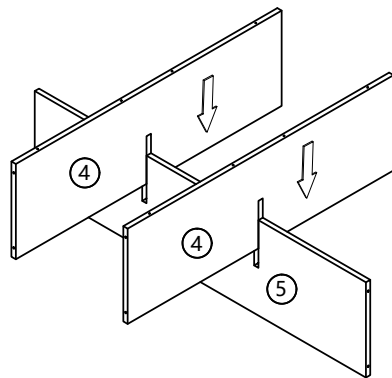
Navodila za sestavo
Assembly instructions

Prodajalec/Vendor:
KOTEK d.o.o.
Obrtniška ulica 6
2310 Slov. Bistrica
SLOVENIJA
www.kotek-home.com

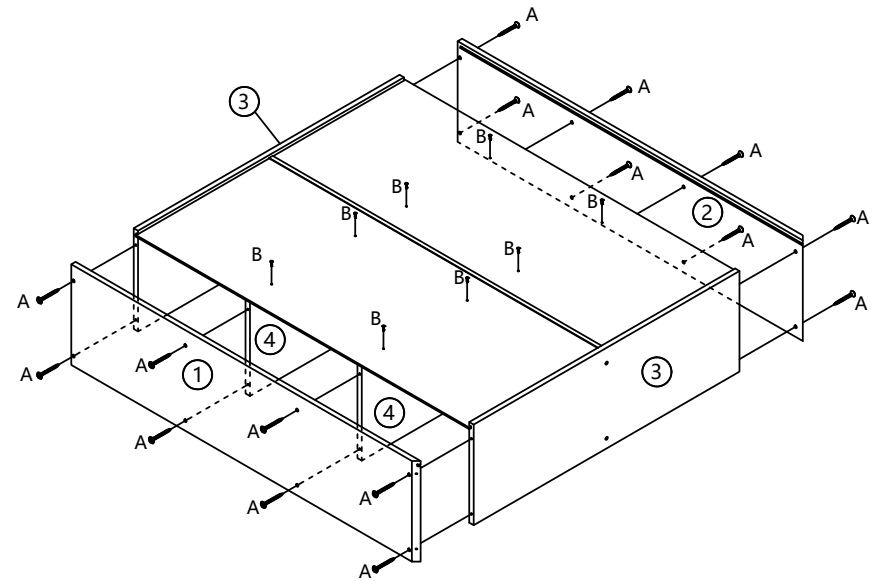
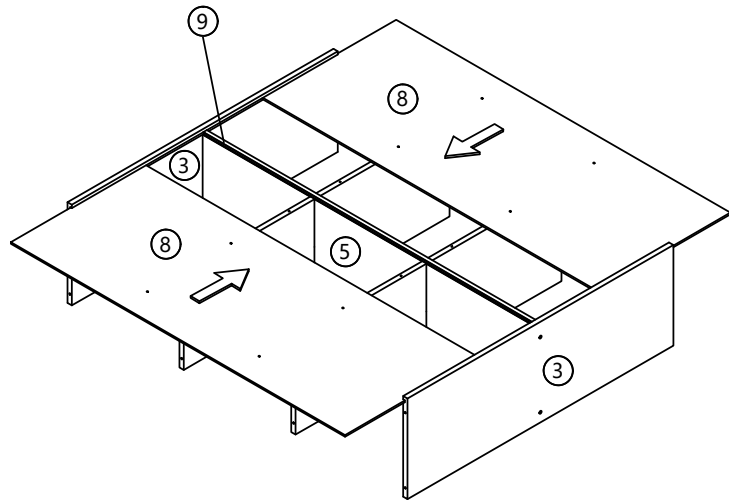
<p>1</p> <p>1PC</p>	<p>2</p> <p>1PC</p>	<p>3</p> <p>2PCS</p>	<p>4</p> <p>2PCS</p>
<p>5</p> <p>1PC</p>	<p>6</p> <p>1PC</p>	<p>7</p> <p>1PC</p>	<p>8</p> <p>2PCS</p>
<p>9</p> <p>1PC</p>	<p>10</p> <p>3PC</p>		



<p>A</p>  <p>Φ6x40MM 20PCS</p>	<p>B</p>  <p>Φ4x15MM 14PCS</p>	<p>C</p>  <p>Φ4x30MM 6PCS</p>	<p>D</p>  <p>D1 D2 2PCS</p>
<p>E</p>  <p>2PCS</p>	<p>F</p>  <p>2PCS</p>	<p>G</p>  <p>1PC</p>	

Korak 1: Step 1:



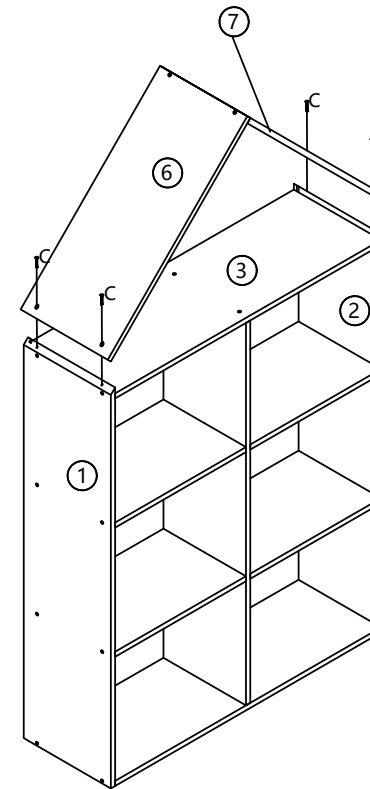
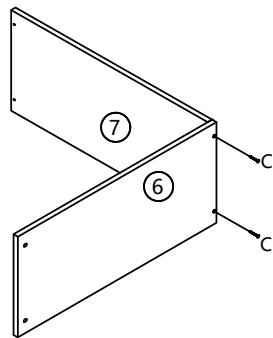
Korak 2: Step 2:



<p>B x 8</p>  <p>Φ4x15</p>	<p>A x 16</p>  <p>Φ6x40</p>
---	--

Korak 3:

Step 3:



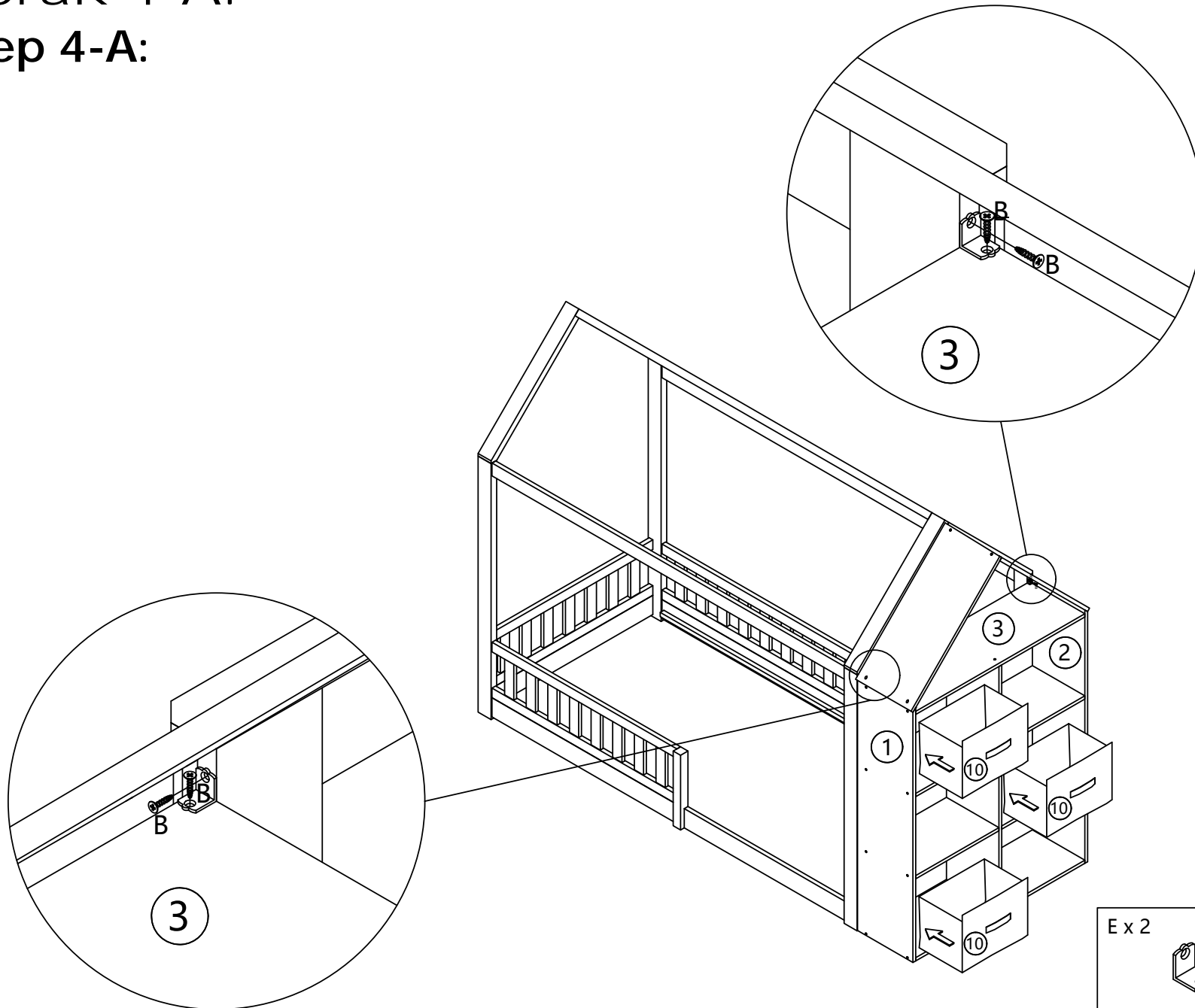
C x 6





Φ4x30

Korak 4-A:

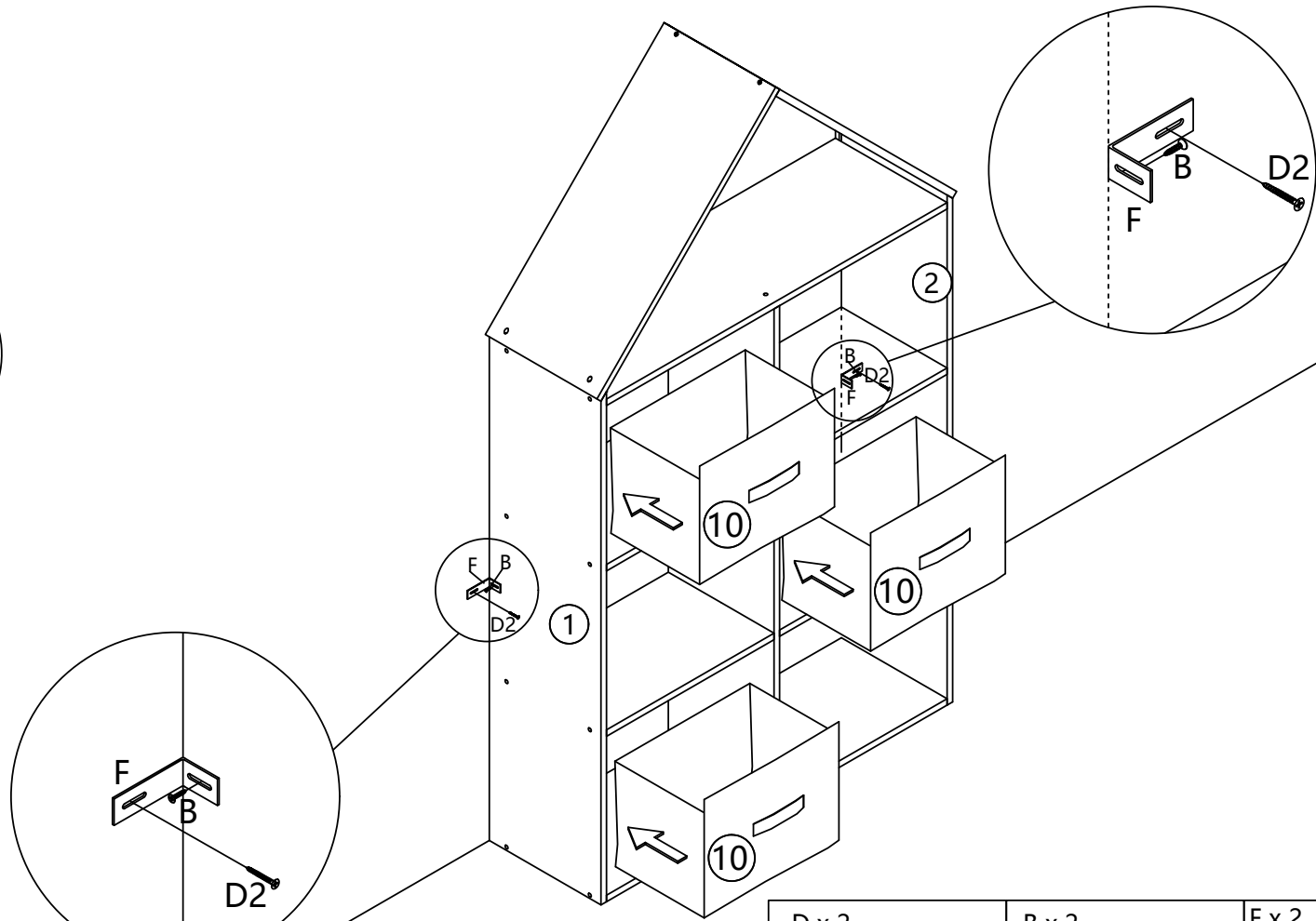
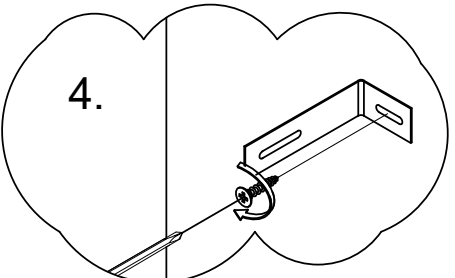
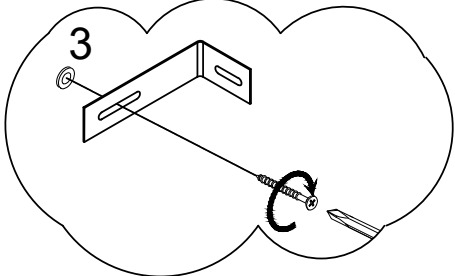
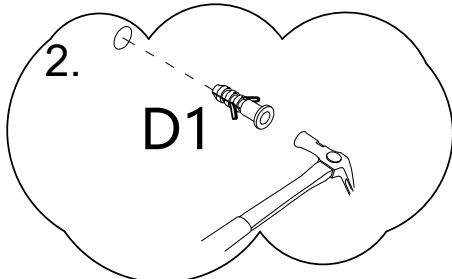
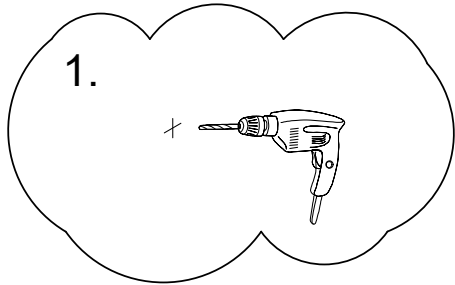
Step 4-A:



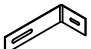


<p>E x 2</p> 	<p>B x 4</p>  <p>Φ4x15</p>
--	---

Korak 4-B:

Step 4-B:



<p>D x 2</p>  <p>D1 D2</p>	<p>B x 2</p>  <p>Φ4x15</p>	<p>F x 2</p> 
---	---	--