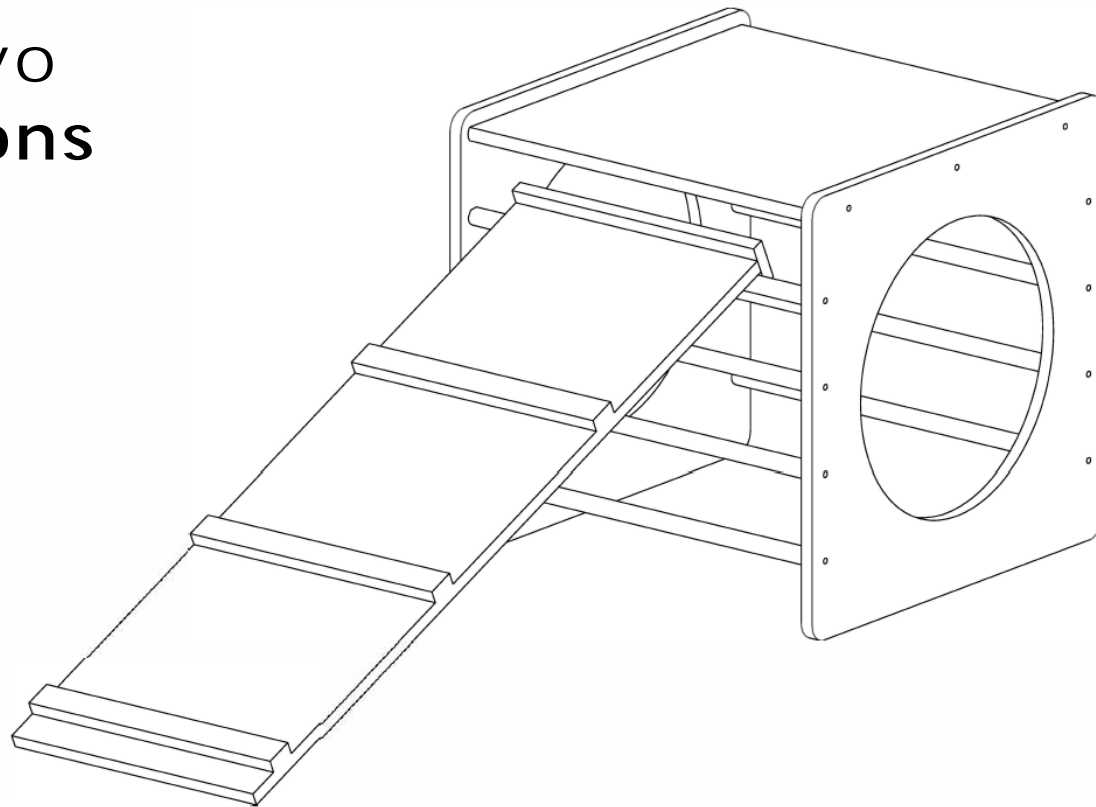


# KOTEK HOME

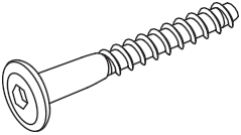

everyone loves quality

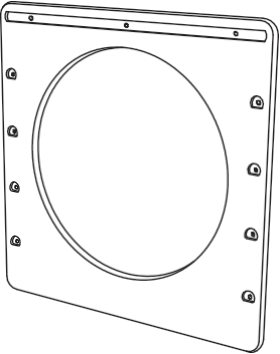
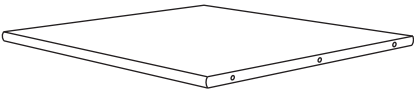
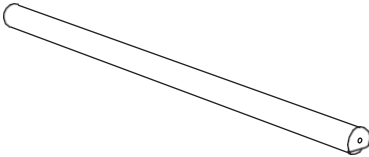
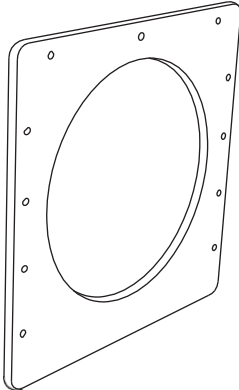
## Navodila za sestavo Assem blyinstructions



**SUNNY BEE Montessori plezalnik z ravnotežno desko**  
**SUNNY BEE Montessori climber and balance toy**

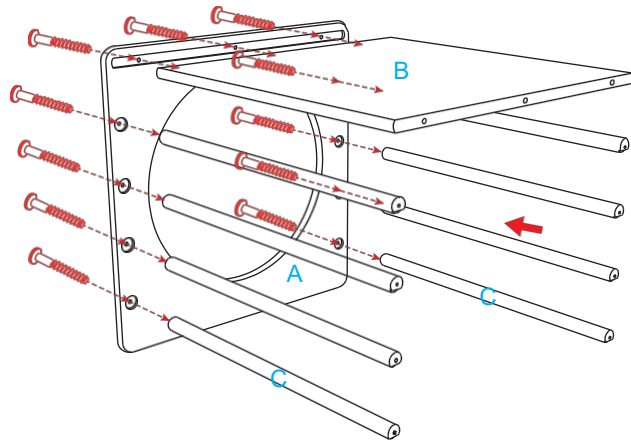
Prodajalec/Vendor:  
KOTEK d.o.o.  
Obrtniška ulica 6  
2310 Slov. Bistrica  
SLOVENIJA  
[www.kotek-home.com](http://www.kotek-home.com)

	
S1 x 22	K1 x 1

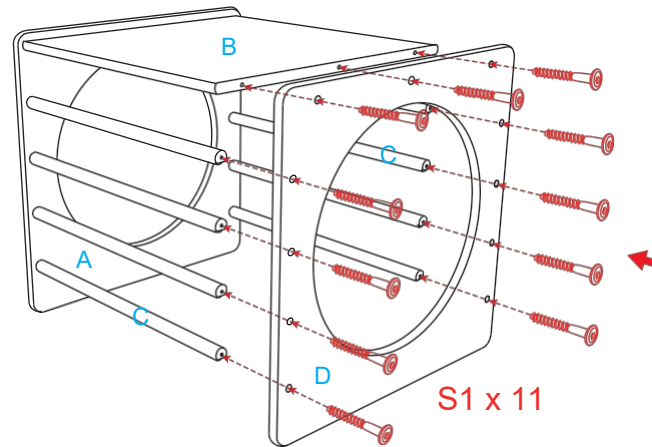
			
AX 1	BX 1	CX 8	DX 1

Korak 1:  
Step 1:

S1 x 11



Korak 2:  
Step 2 :



Korak 3 :  
Step 3 :

